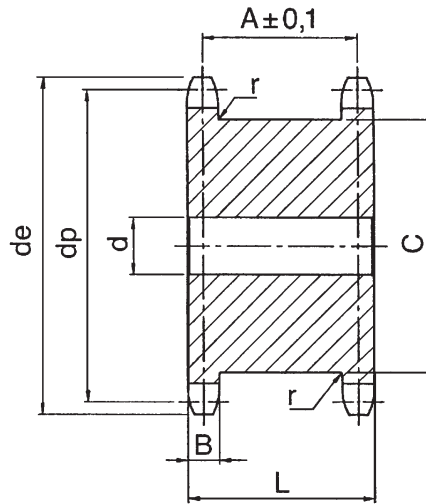


CORONE DOPPIE PER DUE CATENE SEMPLICI



Materiale / C45 UNI 7845

TIPO	Z	De	Dp	d	A	B h14	C max	L	r
3/8"x7/32" R. 6.35 06 B-1	13	43.45	39.80	10	20.3	5.3	28	25.5	0.4
	15	49.46	45.81	10	20.3	5.3	34	25.5	0.4
	17	55.49	51.84	12	20.3	5.3	40	25.5	0.4
	18	58.30	54.85	12	20.3	5.3	43	25.5	0.4
	19	61.52	57.87	12	20.3	5.3	46	25.5	0.4
	20	64.30	60.89	12	20.3	5.3	49	25.5	0.4
	21	67.56	63.91	15	20.3	5.3	52	25.5	0.4
	23	73.60	69.95	15	20.3	5.3	59	25.5	0.4
25	79.65	76.00	15	20.3	5.3	65	25.5	0.4	
1/2"x5/16" R. 8.51 08 B-1	13	57.56	53.07	12	24.8	7.2	37	32	0.6
	15	65.57	61.08	12	24.8	7.2	45	32	0.6
	17	73.61	69.12	12	24.8	7.2	53	32	0.6
	18	78.00	73.14	12	24.8	7.2	57	32	0.6
	19	81.65	77.16	12	24.8	7.2	62	32	0.6
	20	86.00	81.19	12	24.8	7.2	65	32	0.6
	21	89.70	85.21	15	24.8	7.2	70	32	0.6
	23	97.76	93.27	15	24.8	7.2	78	32	0.6
25	105.82	101.33	15	24.8	7.2	86	32	0.6	
5/8"x3/8" R. 10.16 10 B-1	13	73.17	66.33	15	27.9	9.1	48	37	0.6
	15	83.19	76.35	15	27.9	9.1	58	37	0.6
	17	93.23	86.39	15	27.9	9.1	68	37	0.6
	18	98.30	91.42	15	27.9	9.1	72	37	0.6
	19	103.29	96.45	15	27.9	9.1	79	37	0.6
	20	108.40	101.49	19	27.9	9.1	82	37	0.6
	21	113.35	106.51	19	27.9	9.1	89	37	0.6
	23	123.43	116.59	19	27.9	9.1	99	37	0.6
25	133.50	126.66	19	27.9	9.1	109	37	0.6	
3/4"x7/16" R. 12.07 12 B-1	13	87.13	76.90	20	33.9	11.1	59	45	0.6
	15	99.16	91.63	20	33.9	11.1	71	45	0.6
	17	111.20	103.67	20	33.9	11.1	83	45	0.6
	18	118.00	109.71	20	33.9	11.1	88	45	0.6
	19	123.27	115.74	20	33.9	11.1	95	45	0.6
	20	129.70	121.78	20	33.9	11.1	101	45	0.6
	21	135.35	127.82	20	33.9	11.1	107	45	0.6
	23	147.43	139.90	20	33.9	11.1	119	45	0.6
25	159.52	151.99	24	33.9	11.1	131	45	0.6	
1"x17.02 R. 15.88 16 B-1	13	117.26	106.14	24	47.8	16.2	78	64	0.8
	15	133.29	122.17	24	47.8	16.2	95	64	0.8
	17	149.35	138.23	24	47.8	16.2	111	64	0.8
	18	157.00	146.28	24	47.8	16.2	119	64	0.8
	19	165.44	154.32	24	47.8	16.2	127	64	0.8
	20	173.00	162.38	24	47.8	16.2	135	64	0.8
	21	181.54	170.42	24	47.8	16.2	143	64	0.8
	23	197.66	186.54	24	47.8	16.2	160	64	0.8
25	213.78	202.66	24	47.8	16.2	176	64	0.8	